

HENRY AIRTOOLS

AMERICAN MADE INDUSTRIAL TOOLS

**MODELS
N-3, N-2
N-2R, N-1
N-1R, N-3R
N-4**

General Safety and Maintenance Manual



MODEL N-3 LEVER TYPE SCALER



MODEL N-1 PUSH TYPE SCALER



MODEL N-2 NEEDLE SCALER

STANDARD SCALING HAMMER SERIES

Model	Throttle Type	Bore and Stroke	Blows per Minute	Weight	Length	Housing Diameter	Working Air Consumption
N-3	Lever	1 Inch x 1.13 Inch 25 mm x 29 mm	4650	4.2 Lb.(1.9 Kg)	9.4 Inch (239mm)	1.7 Inches (42 mm)	20 CFM (9.4 L/S)
N-1	Push			4.0 Lb.(1.8 Kg)	10.1 Inch (256mm)		
1400	Flow Through			4.1 Lb.(1.9 Kg)	9.4 Inch (239mm)		

NEEDLE SCALERS SERIES

Model	Throttle Type	Bore and Stroke	Blows per Minute	Weight	Length	Housing Diameter	Working Air Consumption
N-2	Lever	1 Inch x 1.13 Inch 25 mm x 29 mm	4650	6.1 Lb.(2.8 Kg)	15.4 Inch (390mm)	1.7 Inches (42 mm)	20 CFM (9.4 L/S)
N-4	Push			5.9 Lb.(2.7 Kg)	16.1 Inch (408mm)		

THE HENRY TOOL CO., MANUFACTURED BY HENRY TOOLS

498 SO. BELVOIR BLVD., SOUTH EUCLID, OH 44121 U.S.A.

PH: (216) 291-1011 OR (800) 826-5257 • FAX: (216) 291-5949 OR (800) 303-2800

EMAIL: DAVIDH@MSN.COM • WEBSITE: WWW.HENRYTOOLS.COM

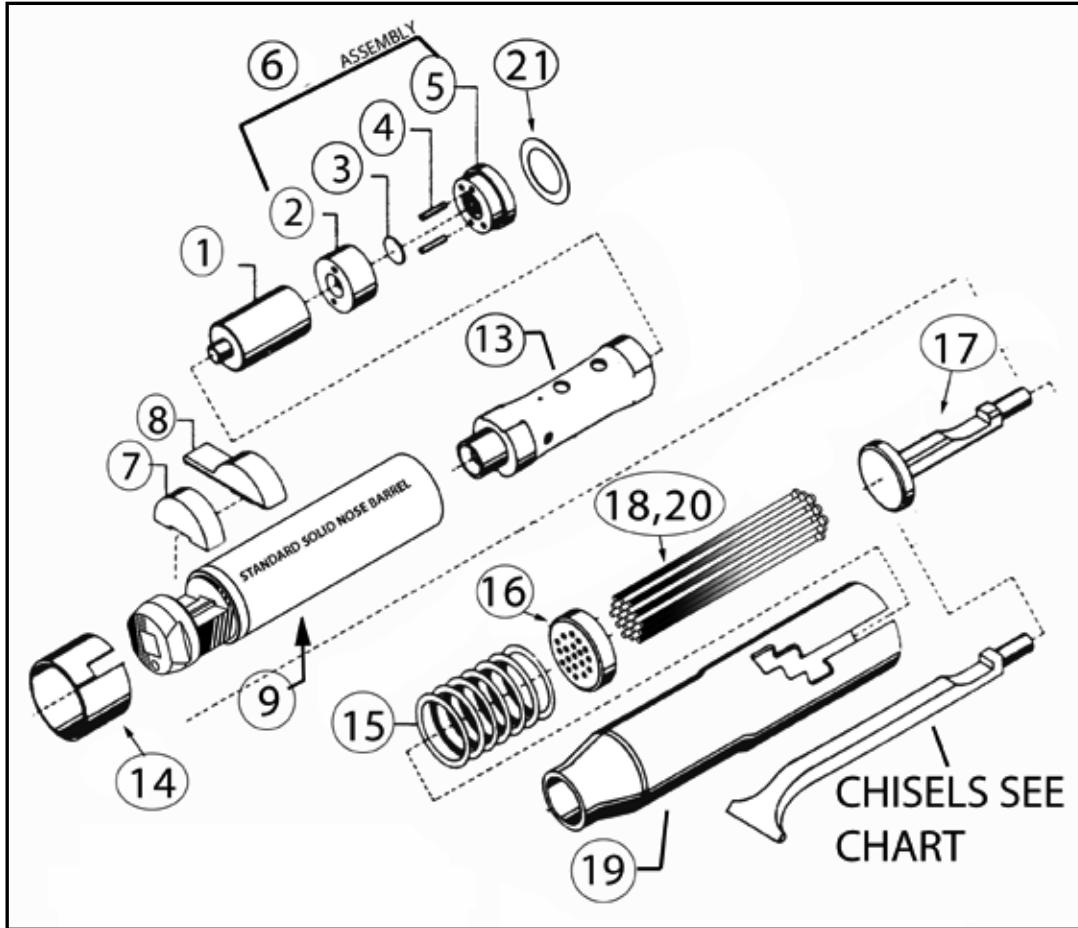


MODEL N-3 LEVER THROTTLE TYPE SCALER



MODEL N-1 PUSH TYPE SCALER

MODELS
N-3, N-2
N-2R, N-1
N-1R, N-3R
N-4



ITEM NO.	PART NO.	DESCRIPTION
1	832373	PISTON
2	832508	LOWER VALVE BLOCK
3	832196	VALVE DISC
4	832126	VALVE BLOCK PIN (2 Req'd)
5	832173	UPPER VALVE BLOCK
6	831109	ENTIRE VALVE BLOCK ASSEMBLY
7	833527	RUBBER BUFFER
8	832956	RETAINER
9	831090-A	SOLID NOSE BARREL (INCLUDES 832700)(STANDARD BARREL)
10	831090	REMOVABLE TOOL NOSE BARREL
11	842801	KEY
12	832963	TOOL NOSE

ITEM NO.	PART NO.	DESCRIPTION
13	832700	BARREL SLEEVE (LINER)
14	832554	CLIP
15	834044	SPRING
16	834046	NEEDLE HOLDER
17	834045	NEEDLE DRIVER
18	834024	7" NEEDLE STANDARD(19 are Req'd)
19	834779	NEEDLE TUBE (ROUND STANDARD)
20	834043	5" NEEDLE (19 are Req'd)
21	832947	SPACER

HENRY TOOLS, INC. PH: (216) 291-1011 or (800) 826-5257



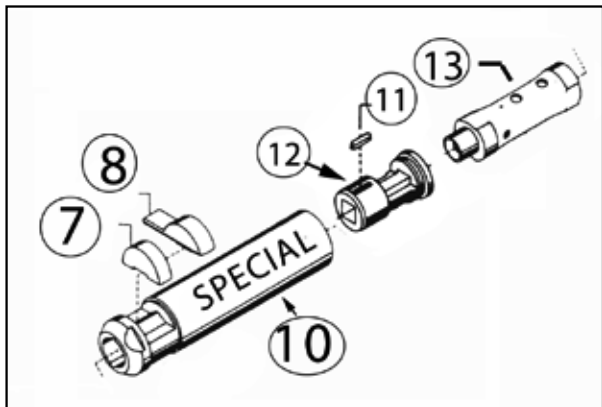
MODEL N-3 LEVER THROTTLE TYPE SCALER



MODEL N-1 PUSH TYPE SCALER

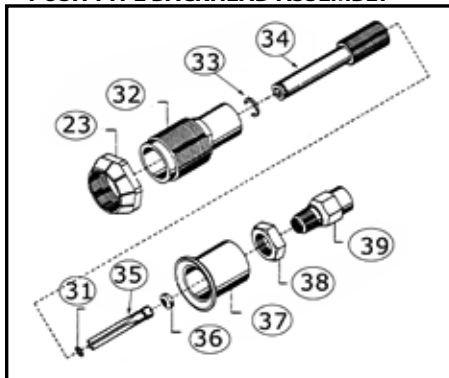
MODELS
N-3, N-2
N-2R, N-1
N-1R, N-3R
N-4

OPTIONAL REMOVABLE TOOL NOSE BARREL ASSEMBLY



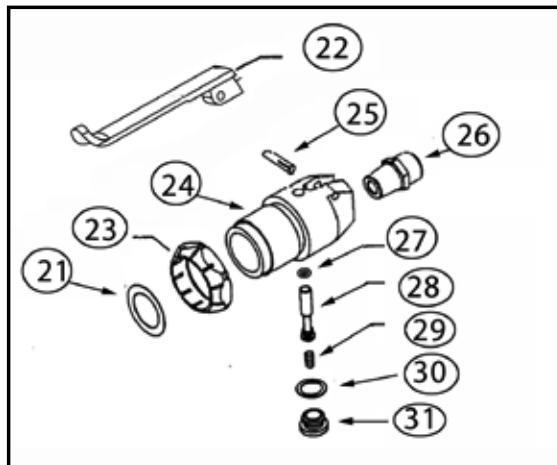
ITEM NO.	PART NO.	DESCRIPTION
7	833527	RUBBER BUFFER
8	832956	CHISEL RETAINER
10	831090	REMOVABLE TOOL NOSE BARREL (ORIGINAL STYLE)
11	842801	KEY
12	832963	TOOL NOSE
13	832700	BARREL LINER

PUSH TYPE BACKHEAD ASSEMBLY



ITEM NO.	PART NO.	DESCRIPTION
23	832882	LOCK RING
31	844032	O-RING
32	832807	PUSH BACKHEAD
33	833600	LOCK RING
34	832095	THROTTLE VALVE CASING
35	831092	FLUTED VALVE WITH O-RING
36	SH-1-S-22-1	VALVE RETAINER
37	832610	CONTROL VALVE HANDLE
38	843645	T.V. CASING LOCK NUT
39	841554	SCREEN BUSHING 1/4x1/4"

LEVER TYPE BACKHEAD ASSEMBLY



ITEM NO.	PART NO.	DESCRIPTION
21	832947	SPACER
22	834780	LEVER
23	832882	LOCK RING
24	834781	BACKHEAD (BARE)
25	832540	LEVER PIN
26	841553	SCREEN BUSHING
27	844302	O-RING
28	834782	THROTTLE VALVE WITH O-RING
29	832078	SPRING
30	832636	GASKET
31	869311	CAP SCREW

SUB-ASSEMBLIES

PART NO.	DESCRIPTION
SUB-ASSEMBLIES	
831109	Valve Block Assembly COMPLETE Includes the following: (832173,832508,832196,832126)
831322	Round Needle Front End Sub (Part Nos. 834043,834044,834045 834046,834779)

HENRY TOOLS, INC. PH: (216) 291-1011 or (800) 826-5257



MODEL N-3 LEVER THROTTLE TYPE SCALER



MODEL N-1 PUSH TYPE SCALER

**MODELS
N-3, N-2
N-2R, N-1
N-1R, N-3R
N-4**

When using compressed air:

- A. Use only sound, strong hose with secure couplings and connections.
- B. Be sure there are no sharp points on metal hose parts.
- C. Close the control valve in portable pneumatic tools before turning on air.
- D. Before changing one pneumatic tool for another, turn off the air control valve. Never kink hose to stop air flow.
- E. Wear suitable goggles, mask, protective clothing or safety devices.
- F. Never use air to blow dust or chips from a persons hair, clothing, or safety devices.
- G. Never point the hose at anyone. Practical jokes with compressed air have caused many serious injuries.
- H. When using compressed air, see that no nearby workers are in line of airflow.
- I. All compressed air supplies used for blowing must be equipped with 30 p.s.i. regulators.
- J. If working with or near compressed air tools, wear goggles. Never point the tool or air hose at any person.
- 1. Before starting work, learn what is underneath the surface. If gas pipe, electric conduit, sewers, water mains, or other objects are in the area, get definite information of their location (blue-prints, if possible) and avoid them carefully.
- 2. Wear safety shoes, goggles, and hard hats at all times. Also, wear ear protection.
- 3. Inspect the machine and equipment regularly, especially drill steel. Never use defective equipment.
- 4. Check valves and connections carefully. Be especially careful when laying down the tool so that the trigger cannot be operated accidentally.
- 5. Thoroughly examine the slope and flare for loose rock.

- 6. Keep a good grip and watch your footing when tool is in use.
 - 7. **NEVER POINT A PORTABLE POWER HAMMER AT ANYONE.**
 - 8. Before disconnecting a portable pneumatic tool, always turn the air off at the base control valve.
 - 9. If the job is near a sidewalk or other thoroughfare, place suitable screens to protect passersby from flying particles.
- PERSONAL PROTECTION**
There is no personal protective equipment that has proved to be effective against HAVS in stonemasons' yards. Anti-vibration gloves may be beneficial in keeping hands warm but they are generally not effective at reducing vibration at the low frequencies which are important in the development of VWF. However, it is important to keep hands warm, as this increases blood flow. This can be done by wearing thermal gloves and providing localized heating and rest breaks in cold conditions for workers to exercise and keep their hands warm. Exercising hands and fingers.
 - 10. Never use compressed air to blow dirt, dust, or chips from hands, face, or clothing.

PART NO.	DESCRIPTION	VIEW	OVERALL LENGTH	Shank Type 1/2" Square
839050	C-200-7 Angle Chisel		7 1/4"	
839051	D-200-7 1/2 Narrow Chisel		7 1/2"	
839299	C-200-12 Angle Chisel		12"	
839334	C-200-18 Angle Chisel		18"	
839335	D-200-18 Narrow Chisel		18"	
839341	D-200-12 Narrow Chisel		12"	
839467	B-200-7 Wide Chisel		7"	
839469	B-200-12 Wide Chisel		12"	
839470	2" Wide Scraper		7 1/2"	
839471	3" Wide Scraper		7 1/2"	