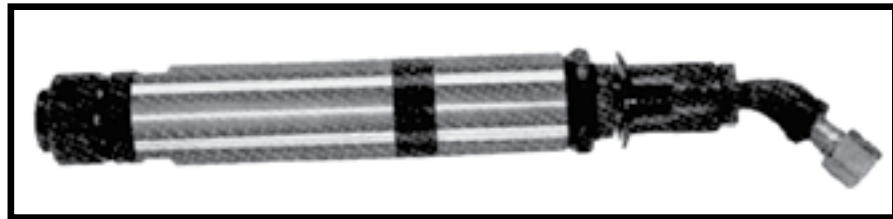
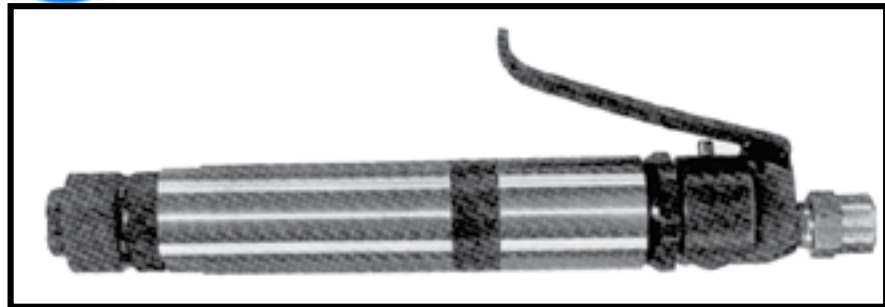


HENRY TOOLS

Industrial Airtools at Work

Models
F-1000-L
F-1000-P
F-1000-BW

General Safety and Maintenance Manual



Note: The F-1000 tool accepts the 4-ball style chisel. this chisel has no orientation requirements for installation. The F-1000 Series accepts the 1/4 octagon style chisel. This notch on the chisel must be aligned with the retaining ball in the front retainer to be installed properly.

Model Number	Throttle Type	Blows Per Minute	Bore and Stroke	Weight	Length	Diameter	Air Consumption
F-1000-L	Lever	3500	0.94 Inch x 2.0 Inch 24 mm x 51 mm	3.5 Lb. (1.6 Kg)	10.8 Inch (275mm)	1.6 Inches (41 mm)	20 CFM (9.4 L/S)
F-1000-P	Push Type	3500	0.94 Inch x 2.0 Inch 24 mm x 51 mm	3.5 Lb. (1.6 Kg)	11.4 Inch (290mm)	1.6 Inches (41 mm)	20 CFM (9.4 L/S)
F-1000-BW	Pistol Type						

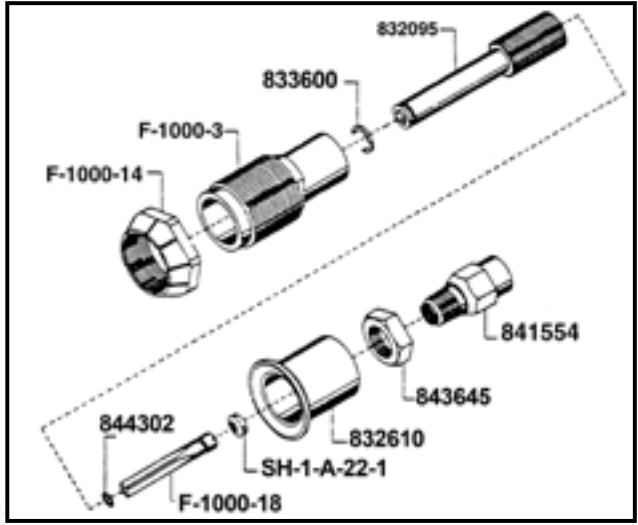
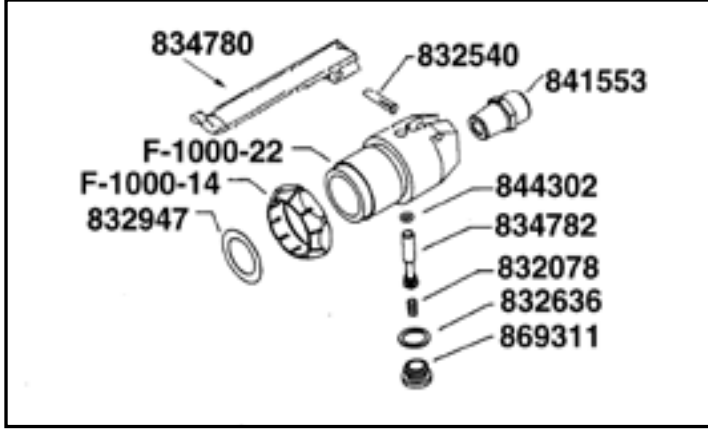
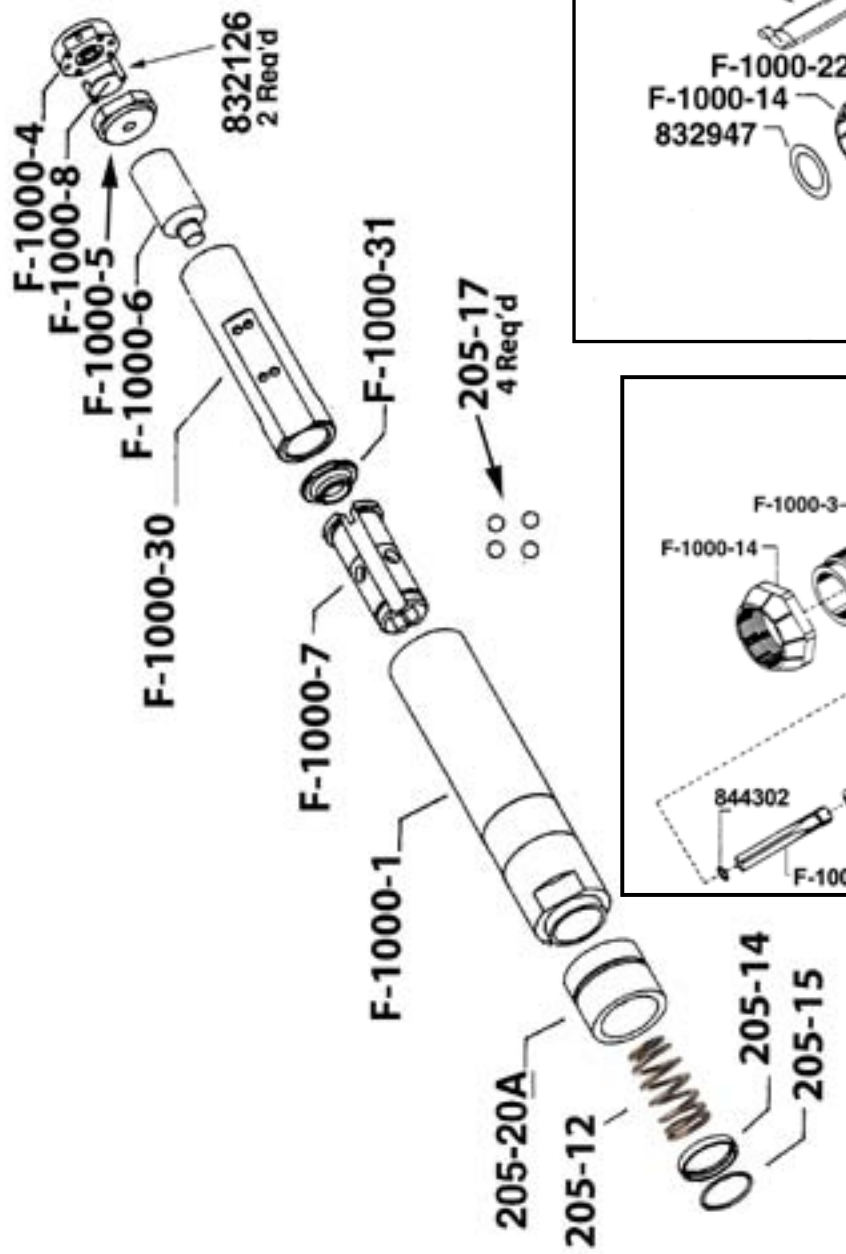
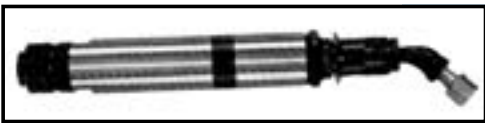
The Henry Tool Co., Manufactured by Henry Tools

498 So. Belvoir Blvd., South Euclid, OH 44121 U.S.A.

Ph: (216) 291-1011 or (800) 826-5257 Fax: (216) 291-5949 or (800) 303-2800

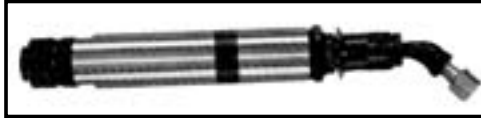
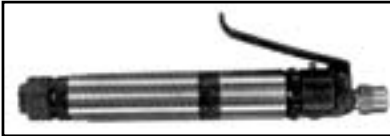
Email: daviidh@msn.com Website: www.Henrytools.com

Models
 F-1000-L
 F-1000-P
 F-1000-BW



HENRY TOOLS, INC. • Ph: (216) 291-1011 or (800) 826-5257

Models
 F-1000-L
 F-1000-P
 F-1000-BW



PART NO.	DESCRIPTION
832078	SPRING
832095	THROTTLE VALVE CASING
832126	PIN (2 REQUIRED) UPPER VALVE BLOCK
832540	PIN
832610	HANDLE
832636	GASKET
832882	LOCK RING
833600	SNAP RING
834780	LEVER
834782	THROTTLE VALVE
841553	SCREEN HANDLE BUSHING
843645	LOCK NUT
844302	O-RING
844302	O-RING
869311	THOTTLE VALVE CAP
205-12	SPRING
205-14	RETAINER WASHER
205-15	RETAINER CLIP
205-17	RETAINER BALL(4 REQUIRED)
400-27	SCREEN HANDLE BUSHING
832947	SHIM SPACER
F-1000-1	BARREL
F-1000-14	LOCK RING
F-1000-14	LOCK RING
F-1000-18	THROTTLE VALVE
F-1000-22	BACKHEAD BARE
F-1000-3	BACKHEAD
F-1000-30	LINER
F-1000-31	LINER CAP
F-1000-4	UPPER VALVE BLOCK
F-1000-5	LOWER VALVE BLOCK
F-1000-6	PISTON
F-1000-7	TOOL NOSE
F-1000-8	FLUTTER VALVE
SH-1-A-22-1	VALVE RETAINER

SAFETY FIRST

READ AND UNDERSTAND ALL INSTRUCTIONS

Failure to follow all instructions listed below, may result in accident, fire and/or personal injury.

SAVE THESE INSTRUCTIONS

Be certain to wear safety equipment such as safety glasses and earplugs. Also, when changing the air hammer's bits, always be sure to disconnect air supply from air hammer first. When using an air hammer, always be aware of the position of the tool and work piece. The tremendous force that the air hammer exerts can cause the tool or work piece to jump powerfully. This movement could easily cause injury to the operator or bystanders.

Caution: Disassembly or reassembly of the unit must be performed by qualified personnel. It is advisable to return units to the factory or consult Henrytools for necessary repair.

1. Do not allow corrosive gases or foreign material to enter the unit.
2. Eye protection is ALWAYS required when running this chipping hammer.
3. Hearing protection is ALWAYS required when running a chipping hammer.
4. Dust mask, non-skid safety shoes, hard hat, gloves and other personal safety equipment must be used.
5. Stay alert, watch what you are doing, and use common sense when operating a power tool.
6. Dress properly. Do not wear any loose clothing or jewelry. These may get caught by moving parts. Make sure to wear a hair-net.
7. Keep your work area clean and well lit.
8. Do not operate power tools in explosive atmospheres, such as in the presence of flammable liquids, gases, or dust.
9. Disconnect the tool from the air supply before installing, making any adjustment, changing accessories, servicing or storing tool.

- There are several dangers associated with the use of pneumatic tools. First and foremost is the danger of getting hit by one of the tool's attachments.
- Pneumatic tools must be checked to see that the tools are fastened securely to the air hose to prevent them from becoming disconnected. A short wire or positive locking device attaching the air hose to the tool may also be used and will serve as an added safeguard.
- Eye protection is required, and head and face protection is recommended for individuals working with pneumatic tools. Screens must also be set up to protect



Models
F-1000-L
F-1000-P
F-1000-BW

SAFETY (continued)

nearby workers from being struck by flying fragments around pneumatic chippers.

- Compressed air guns should NEVER be pointed toward anyone.
- Disconnect tool from power supply when exchanging tool chisels or servicing the tool.
- Keep your hands off the tooling used.
- Pay attention to possible abrupt movements of the machine due to reaction forces or breaking of used tooling or workpieces.
- Working with hammers may produce dust and depending on the material of the working surface this may be harmful for the operator's health.
- Personal protective devices and dust vacuum systems must be provided depending on the material of the work pieces / surfaces.
- Chiseling operations may cause fragmentation or even destruction of the work piece.
- The tooling of heavy-duty hammers such as concrete breakers is exposed to especially rough treatment and after some time of use may break due to fatigue.
- Insert tools improperly fastened or damaged may cause strong vibrations.
- The operator's incorrect body carriage will not allow a proper reaction to normal or unexpected movements of the hammer. Make SURE to carry yourself so that you are even prepared for a possible breaking of the insert tool.
- Holding the hammer in the hand freely may lead to vibration injuries.
- The maximum operating pressure (flow pressure) must not be exceeded. A pressure regulator should be integrated so that the pressure will be adjusted before reaching the hammer.
- There is a risk of getting hurt by a whip-lashing air hose - please pay careful attention.
- Do not run tools in the vicinity of inflammable liquids or gases.
- NEVER MODIFY ANY PART OF THIS TOOL. Modifying this tool can cause injury or death.